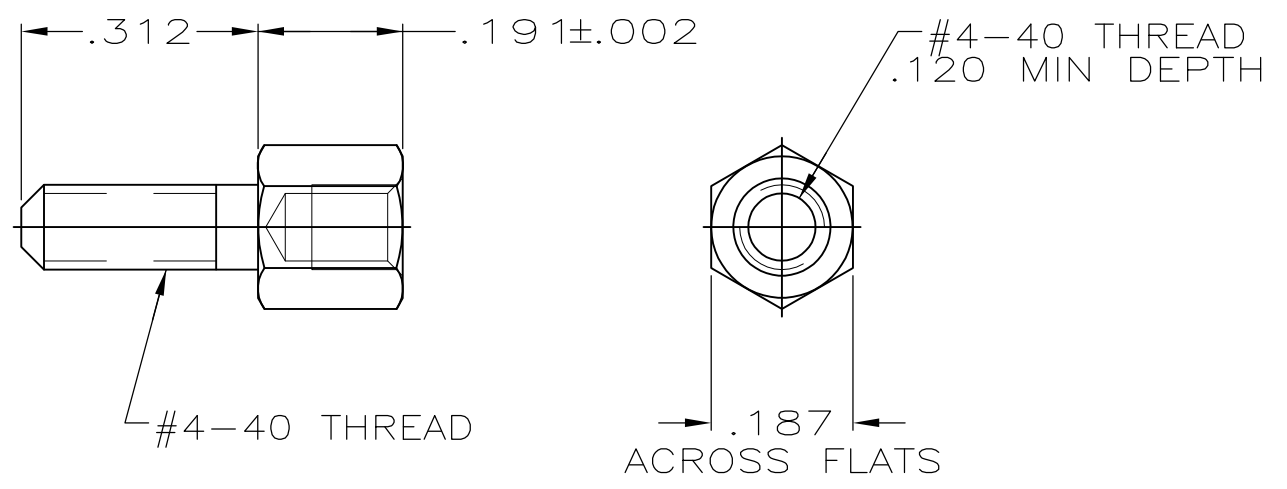



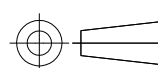
THIS DRAWING IS UNPUBLISHED. RELEASED FOR PUBLICATION
 © COPYRIGHT - By - ALL RIGHTS RESERVED.

LOC	DIST	REVISIONS			
P	LTR	DESCRIPTION	DATE	DWN	APVD
GP	00	P			
		P	REVISED PER ECO-11-004835	11MAR11	RK HMR



- 1 ZINC PLATED .000200-000400 THICK, YELLOW CHROMATE COATING.
- 2 ZINC PLATED .000200-000400 THICK, CLEAR CHROMATE COATING.

2	5205818-3
1	5205818-2
FINISH	PART NUMBER

THIS DRAWING IS A CONTROLLED DOCUMENT.		DWN R.RICHARDSON 20JUN05	 TE Connectivity		
DIMENSIONS: INCHES		CHK C.ROHDE 20JUN05			
		APVD M.WALMSLEY 20JUN05	NAME SCREWLOCK, FEMALE, AMPLIMITE		
TOLERANCES UNLESS OTHERWISE SPECIFIED:		PRODUCT SPEC	-		
0 PLC ± -		APPLICATION SPEC	-		
1 PLC ± -		WEIGHT	-		
2 PLC ± -		SIZE	CAGE CODE	DRAWING NO	RESTRICTED TO
3 PLC ± .005		A3 00779		C-5205818	-
4 PLC ± -		CUSTOMER DRAWING			
ANGLES ± -		SCALE 4:1		SHEET 1 OF 1	REV P
MATERIAL COLD ROLLED STEEL		FINISH SEE TABLE			